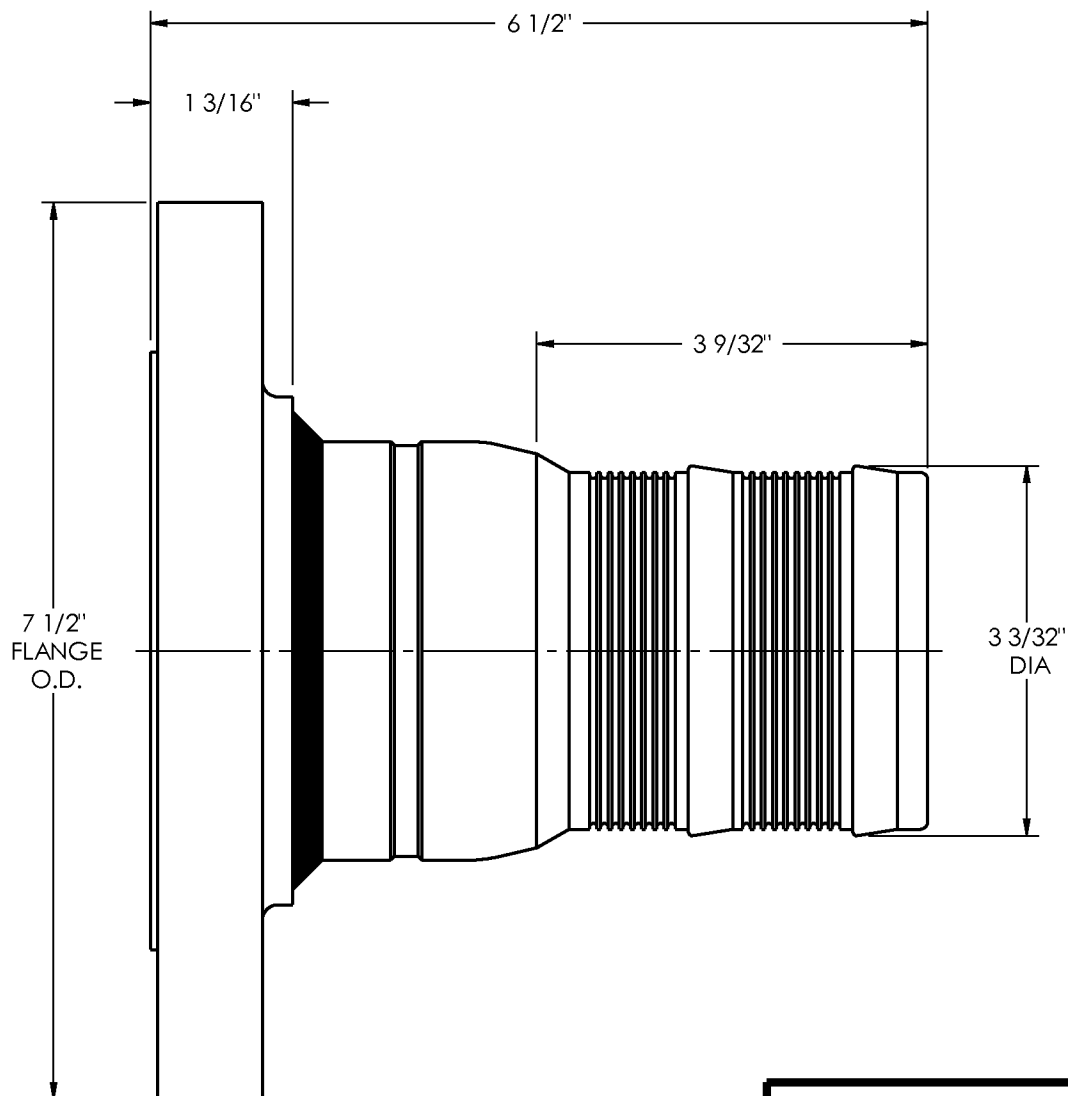


HFST35PF

CUSTOMER DWG



CUSTOMER DWG

AGREEMENT TO MAINTAIN CONFIDENTIALITY

This drawing is owned by Dixon Valve & Coupling Co. and shall be returned upon demand. It is loaned on condition that it shall not be copied or reproduced or submitted to others without the owners consent. In accepting it subject to this condition the recipient further agrees that this drawing or any design detail or concept disclosed herein shall not be used in any way detrimental to or in competition with the owner. If the recipient does not agree to the terms of this agreement they shall return this drawing immediately. The information contained in this drawing is subject to change without notice.

REV:



DIXON VALVE & COUPLING CO.
U. S. A.

TITLE
3" FLANGED PHONOGRAPHIC FINISH
KING COMBINATION NIPPLE

DRWN BY:
TDJ
1/6/11

CHECKED BY:
SWE
1-6-11

APPROVAL: *J.B.*
1/7/11

MAT'L:
HASTELLOY C-276

HFST35PF