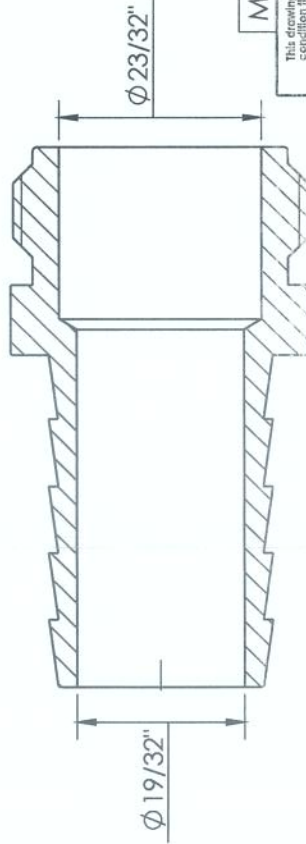
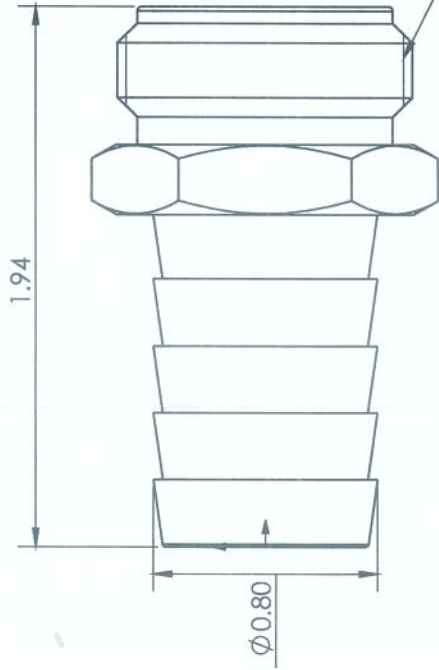
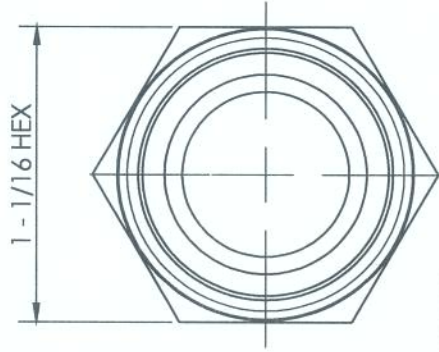


LINE DRAWING NOT FOR PRODUCTION PURPOSES



MATERIAL 1 - 1/16 HEX ALLOY 360 BRASS

This drawing is owned by Dixon Valve Coupling Co. and shall be returned upon demand. It is loaned on the condition that it is not to be reproduced, copied, or otherwise used without the express written consent of Dixon Valve Coupling Co. In the event of any such use without consent, the recipient shall be held liable for all damages, including reasonable attorney's fees, and shall be subject to this condition. The recipient further agrees that this drawing or any design detail or concept disclosed herein shall not be used in any way detrimental to or in competition with the owner. If the recipient does not agree to the terms of this agreement, the recipient shall return this drawing immediately. The information contained in this drawing is subject to change without notice.



**Dixon Brass**  
Westmont, Illinois USA

DESIGNED BY: T. BARRERA  
DATE: 12/13/17  
APPROVED: [Signature]  
DATE: [Blank]  
ECO NO.: [Blank]

DO NOT SCALE THIS DRAWING	
SIZE	DWG. NO.
A	5901212C
REV	A