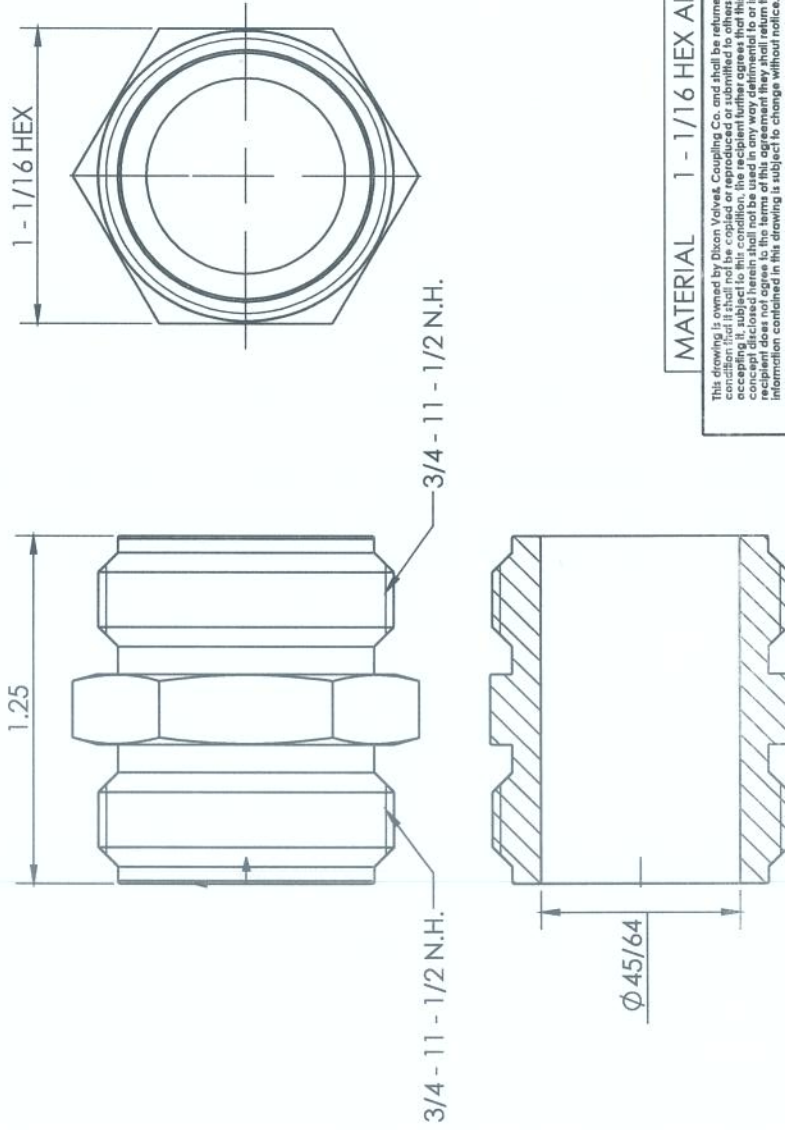


LINE DRAWING NOT FOR PRODUCTION PURPOSES



MATERIAL 1 - 1/16 HEX ALLOY 360 BRASS

This drawing is owned by Dixon Valve Company, Inc. and shall be returned upon demand. It is loaned on the condition that it shall be used for the production or development of a product or process without the owner's consent. If the recipient does not agree to these conditions, the recipient further agrees that this drawing or any design detail or information contained in this drawing is subject to change without notice.



Dixon Brass
Westmont, Illinois USA

DATE	10/18/17
APPROVED	HENRY B.
ECO NO.	

DO NOT SCALE THIS DRAWING	
SIZE DWG. NO.	A 5091212C
REV	A

TITLE: ADAPTER DOUBLE END GARDEN HOSE