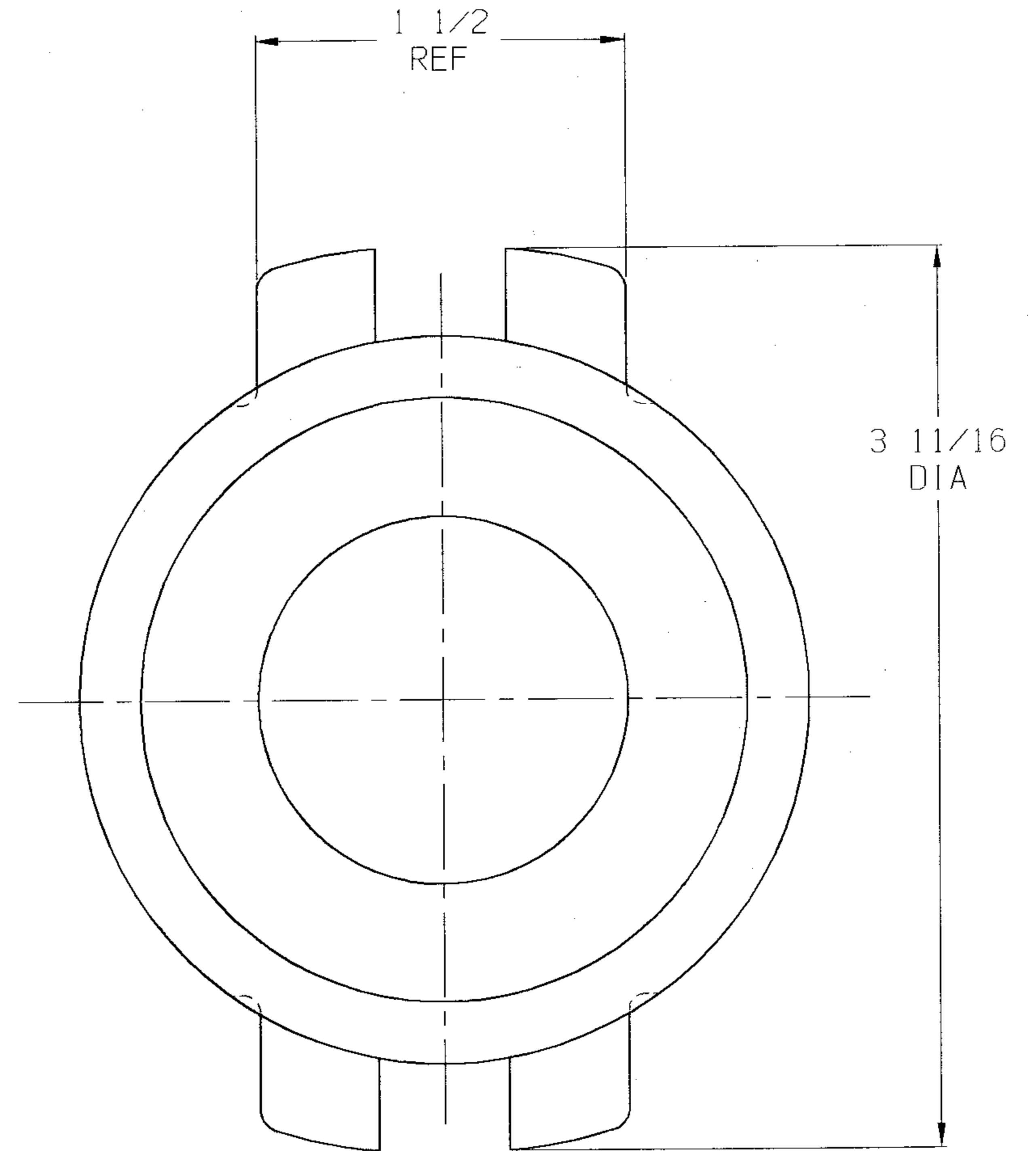
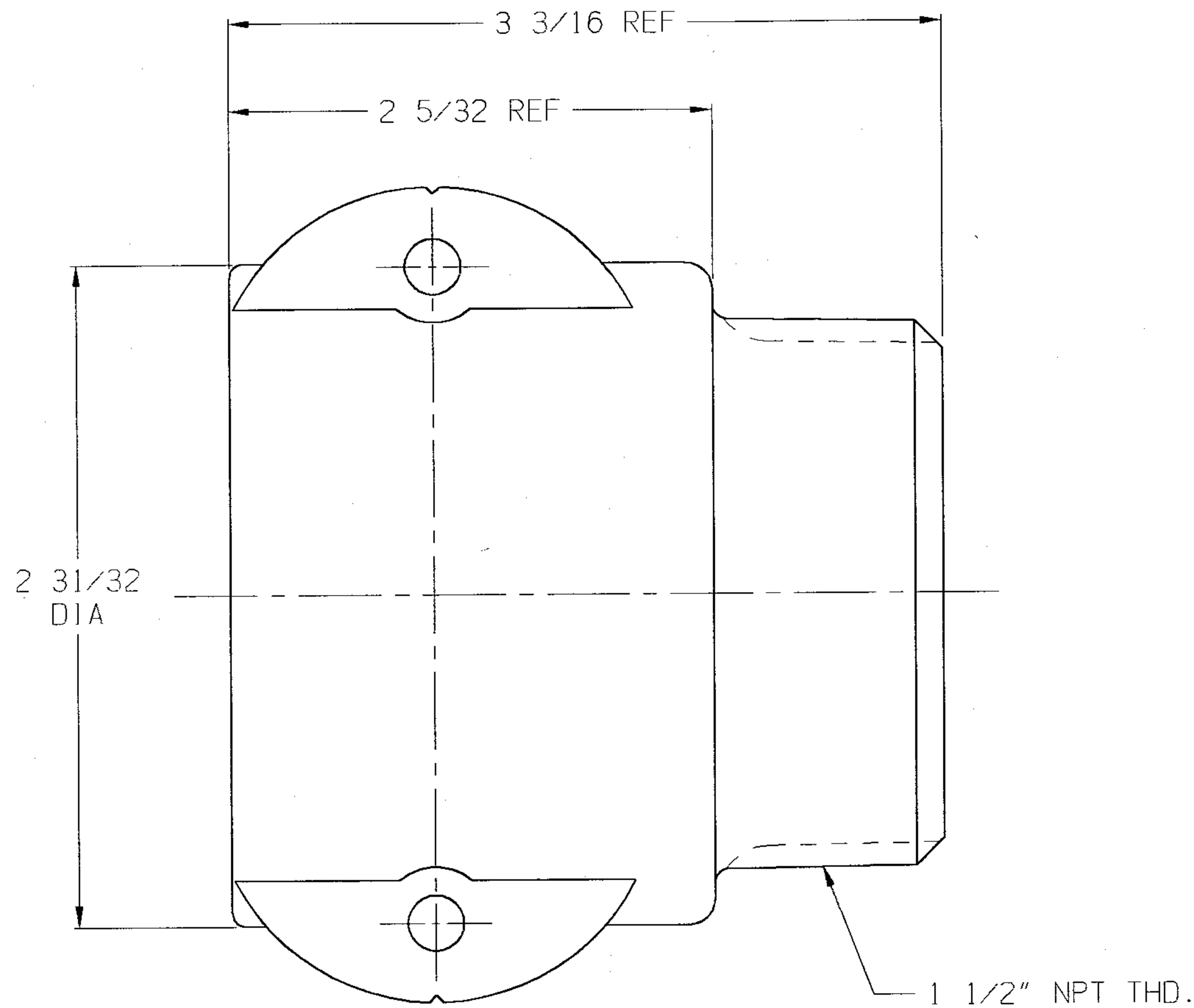


2744

6/10/09

CUSTOMER DWG



DIMENSION OVER OPEN
CAM ARMS 7 15/32"

2015-B-AL

CUSTOMER DWG

DIXON VALVE & COUPLING CO.
U. S. A.

TITLE
REDUCER COUPLER 2015-B-AL
2" COUPLER x 1 1/2" THREAD

DRAWN BY: 10/21/99
ROLAND RASH

CHECK BY: *a*

APPROVED: *w*

MAT'L
ALUMINUM

2744

AGREEMENT TO MAINTAIN CONFIDENTIALITY

This drawing is owned by Dixon Valve & Coupling Co. and shall be returned upon demand. It is loaned on condition that it shall not be copied or reproduced or submitted to others without the owners consent. In accepting it subject to this condition the recipient further agrees that this drawing or any design detail or concept disclosed herein shall not be used in any way detrimental to or in competition with the Owner. If the recipient does not agree to the terms of this agreement, they shall return this drawing immediately.

