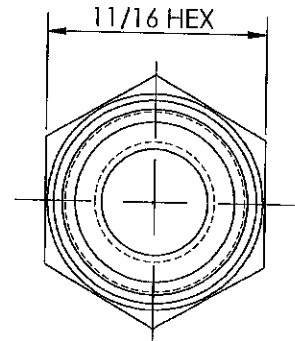
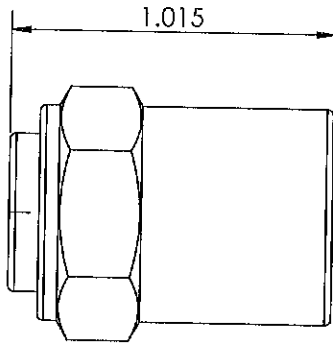
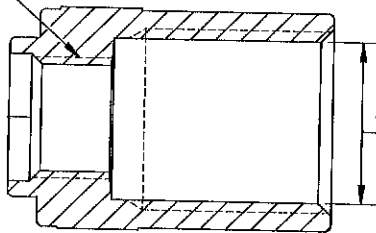


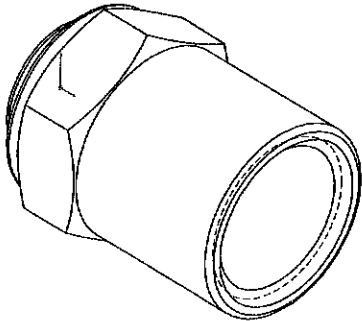
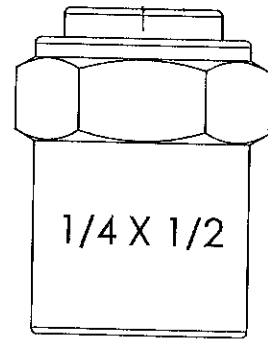
LINE DRAWING NOT FOR PRODUCTION PURPOSES




3/8 - 24 UNF -2B
HOSE I.D. 1/4

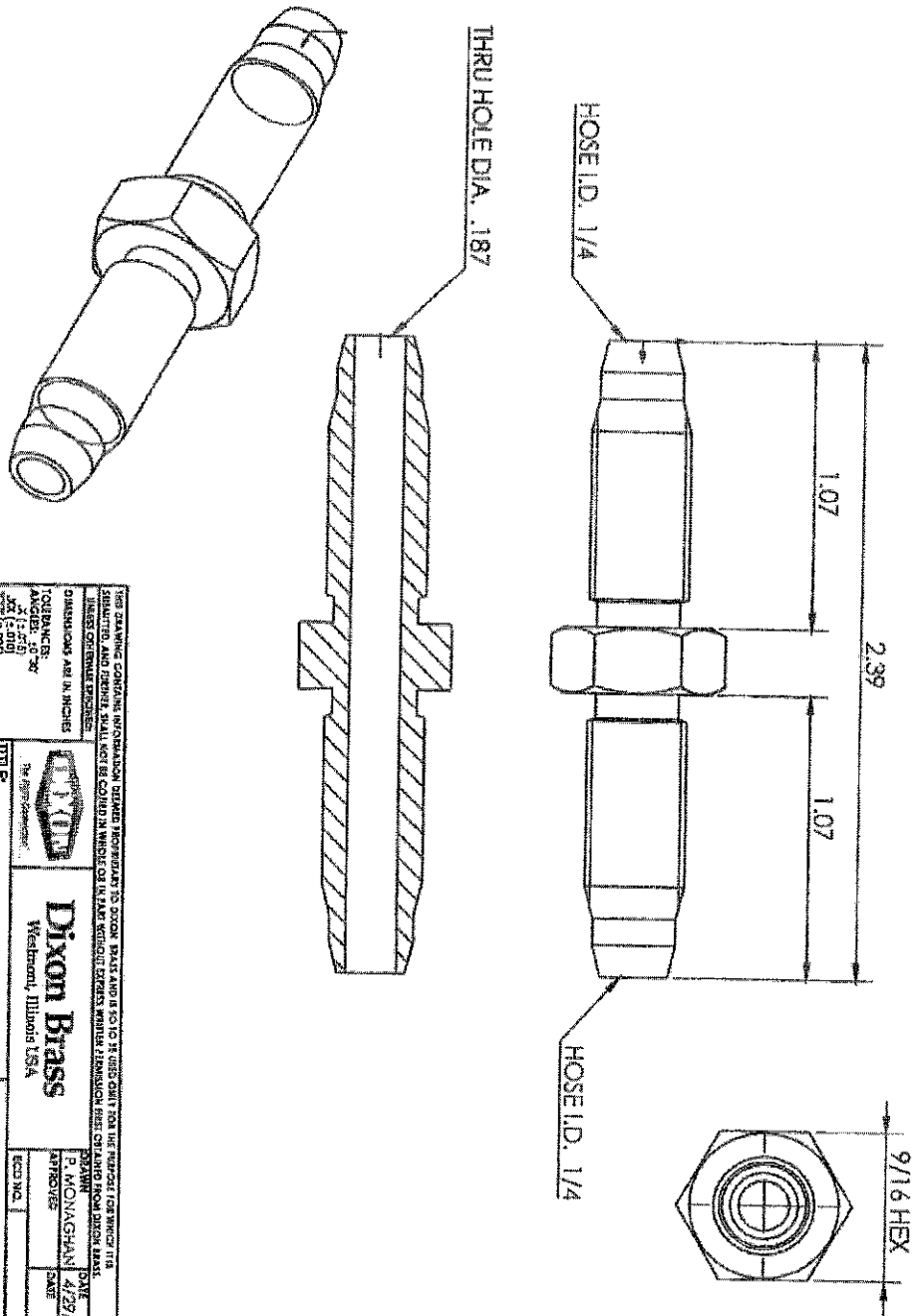


Ø HOSE O.D. 1/2



THIS DRAWING CONTAINS INFORMATION DEEMED PROPRIETARY TO DIXON BRASS AND IS TO BE USED ONLY FOR THE PURPOSE FOR WHICH IT IS SUBMITTED, AND FURTHER, SHALL NOT BE COPIED IN WHOLE OR IN PART WITHOUT EXPRESS WRITTEN PERMISSION FIRST OBTAINED FROM DIXON BRASS. UNLESS OTHERWISE SPECIFIED:				
DIMENSIONS ARE IN INCHES		Dixon Brass Westmont, Illinois USA	DRAWN P. MONAGHAN	DATE 4/16/15
TOLERANCES: ANGLES: ±0°30' .X (±.015) .XX (±.010) .XXX (±.005) DIMENSIONS PER ANSI Y14.5			APPROVED	DATE
TITLE: REUSABLE FERRULE		DRAWING NOT REPRODUCED TO SCALE		REV B
SIZE A	DWG. NO. 1800408F			

LINE DRAWING NOT FOR PRODUCTION PURPOSES



<p>THIS DRAWING CONTAINS INFORMATION DESIGN INFORMATION TO BE USED IN THE FABRICATION OF THIS PART. IT IS THE PROPERTY OF DIXON VALVE AND FITTING CO. AND IS NOT TO BE REPRODUCED OR TRANSMITTED IN ANY FORM OR BY ANY MEANS, ELECTRONIC OR MECHANICAL, INCLUDING PHOTOCOPYING, RECORDING, OR BY ANY INFORMATION STORAGE AND RETRIEVAL SYSTEM. ALL RIGHTS ARE RESERVED. UNLESS OTHERWISE INDICATED, DIMENSIONS ARE IN INCHES.</p>	
<p>TOLERANCES UNLESS OTHERWISE SPECIFIED:</p>	
<p>FINISHES UNLESS OTHERWISE SPECIFIED:</p>	<p>DATE: 4/29/15</p>
<p>DESIGNER: J. S. (J.S.)</p>	<p>APPROVER: P. MONAGHAN</p>
<p>DRAWING NO. 186040AS</p>	<p>SCALE: 1:1</p>
<p>TITLE: REUSABLE HOSE SPLICER</p>	<p>REV: B</p>
<p>DIXON Brass Westmont, Illinois USA</p>	<p>REVISIONS NOT REFERRED TO SCALE</p>