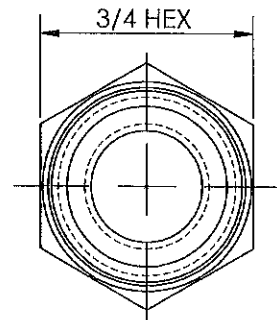
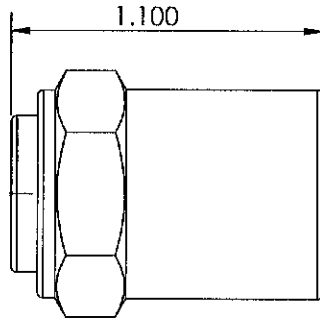
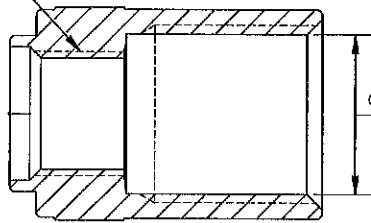


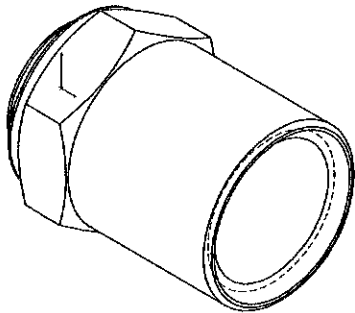
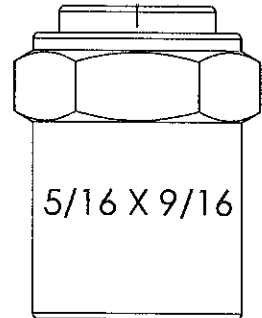
LINE DRAWING NOT FOR PRODUCTION PURPOSES




7/16 - 20 UNF2B
HOSE I.D. 5/16

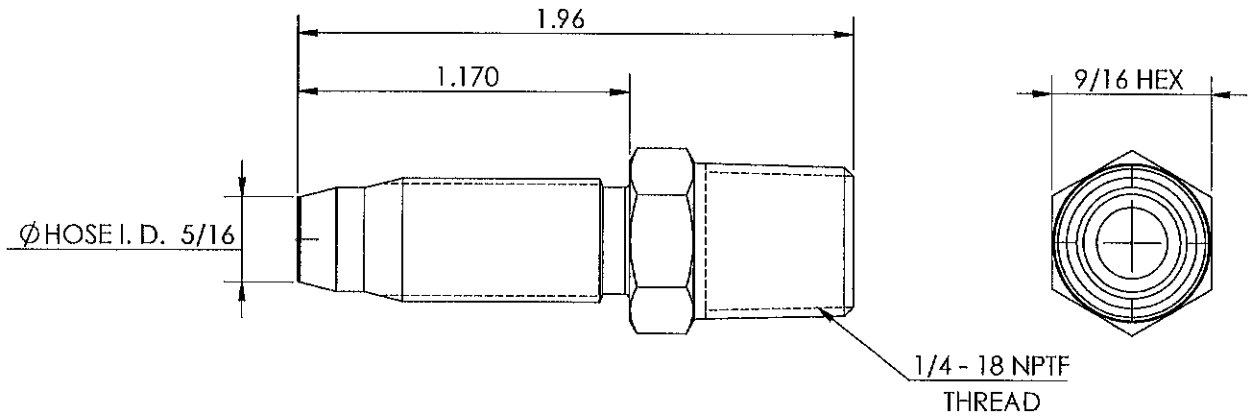


Ø HOSE O.D. 9/16

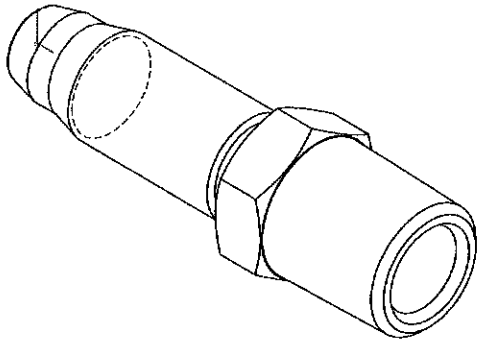
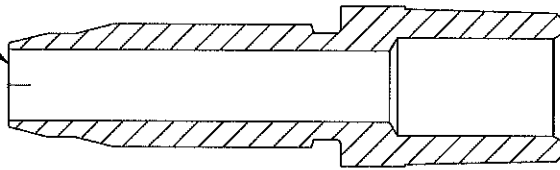



THIS DRAWING CONTAINS INFORMATION DEEMED PROPRIETARY TO DIXON BRASS AND IS SO TO BE USED ONLY FOR THE PURPOSE FOR WHICH IT IS SUBMITTED, AND FURTHER, SHALL NOT BE COPIED IN WHOLE OR IN PART WITHOUT EXPRESS WRITTEN PERMISSION FIRST OBTAINED FROM DIXON BRASS.			
UNLESS OTHERWISE SPECIFIED:		DRAWN P. MONAGHAN DATE 4/17/15	
DIMENSIONS ARE IN INCHES		APPROVED DATE	
TOLERANCES: ANGLES: ±0°30' .X (±.015) .XX (±.010) .XXX (±.005)		ECO NO.	
DIMENSIONS PER ANSI Y14.5		DRAWING NOT REPRODUCED TO SCALE	
 Dixon Brass Westmont, Illinois USA		SIZE A	DWG. NO. 1800509F
TITLE: REUSABLE FERRULE		REV B	

LINE DRAWING NOT FOR PRODUCTION PURPOSES



THRU HOLE DIA. .250



THIS DRAWING CONTAINS INFORMATION DEEMED PROPRIETARY TO DIXON BRASS AND IS SO TO BE USED ONLY FOR THE PURPOSE FOR WHICH IT IS SUBMITTED, AND FURTHER, SHALL NOT BE COPIED IN WHOLE OR IN PART WITHOUT EXPRESS WRITTEN PERMISSION FIRST OBTAINED FROM DIXON BRASS.			
UNLESS OTHERWISE SPECIFIED:		DRAWN	
DIMENSIONS ARE IN INCHES		P. MONAGHAN	
TOLERANCES:		DATE	
ANGLES: $\pm 0^{\circ}30'$		APPROVED	
X ($\pm .015$)		DATE	
XX ($\pm .010$)		ECO NO.	
XXX ($\pm .005$)		DRAWING NOT REPRODUCED TO SCALE	
DIMENSIONS PER ANSI Y14.5		SIZE	REV
 Dixon Brass Westmont, Illinois USA		A	B
TITLE: REUSABLE MALE STEM		DWG. NO. 1820504S	