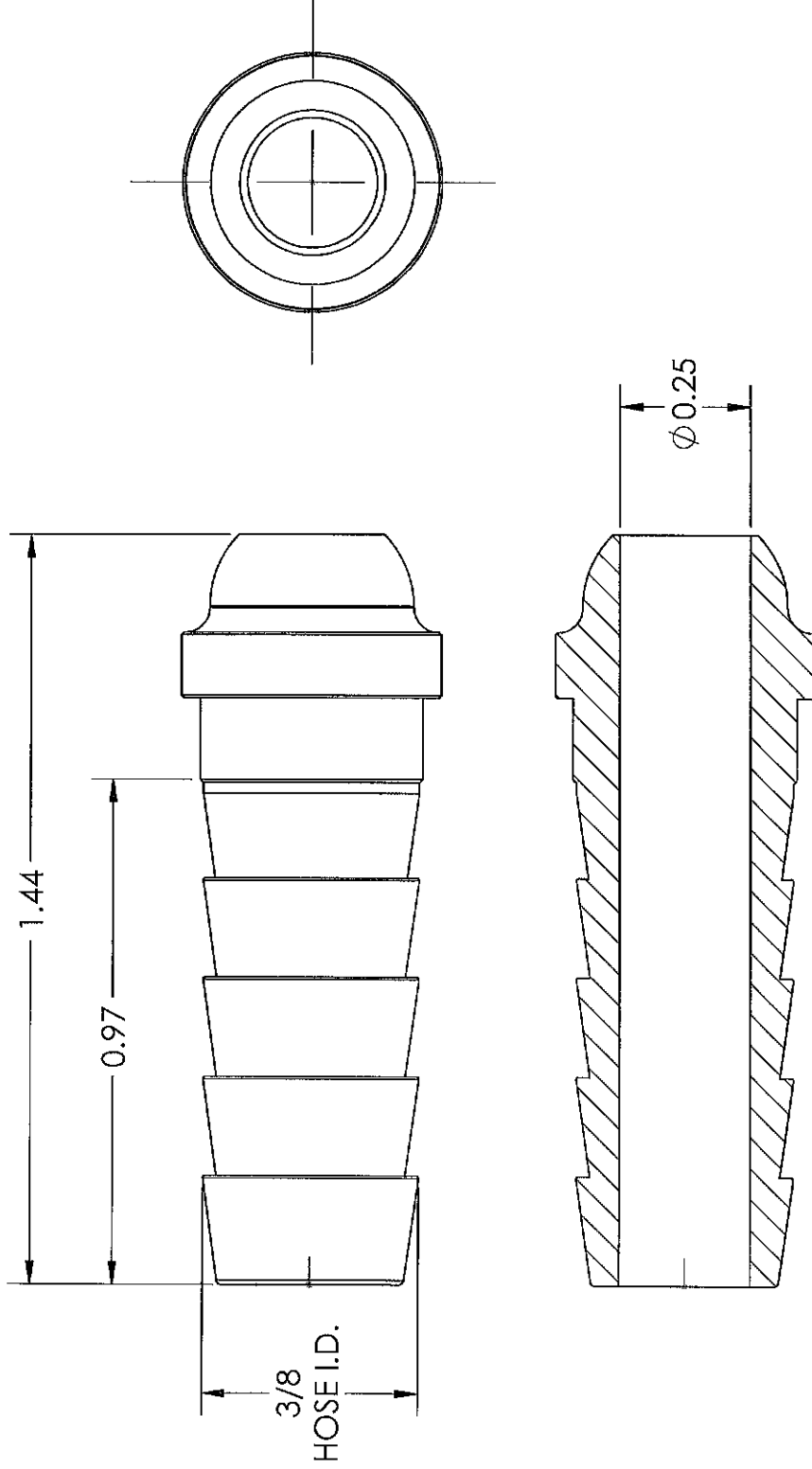


LINE DRAWING NOT FOR PRODUCTION PURPOSES



MATERIAL: 360 BRASS ALLOY



Dixon Brass
Westmont, Illinois USA

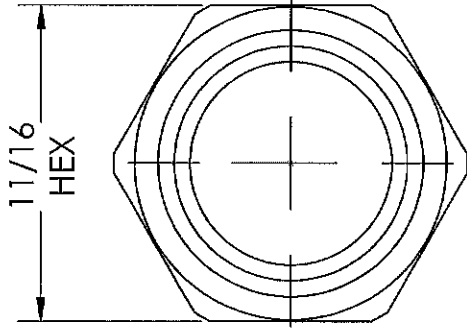
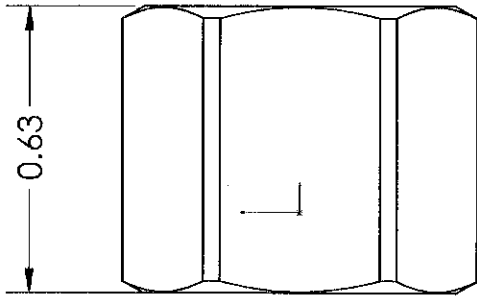
DRAWN	DATE
P. MONAGHAN	5/12/21
APPROVED	DATE

DO NOT SCALE THIS DRAWING	
SIZE	DWG. NO.
A	1520609S
REV	E

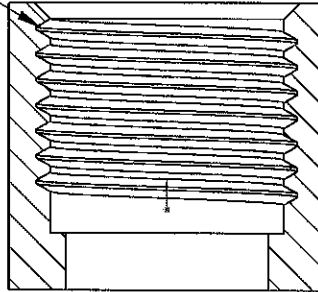
TITLE:
WELDING TYPE
SWIVEL STEM

This drawing is owned by Dixon Valves, Coupling Co. and shall be returned upon demand. It is loaned on condition that it shall not be copied or reproduced or submitted to others without the owners consent. In accepting it, subject to this condition, the recipient further agrees that this drawing or any design detail or concept disclosed herein shall not be used in any way detrimental to or in competition with the owner. If the recipient does not agree to the terms of this agreement they shall return this drawing immediately. The information contained in this drawing is subject to change without notice.

LINE DRAWING NOT FOR PRODUCTION PURPOSES



9/16-18 UNF-2B



This drawing is owned by Dixon Valves Coupling Co. and shall be returned upon demand. It is loaned on condition that it shall not be copied or reproduced or submitted to others without the owner's consent. In accepting it, subject to this condition, the recipient further agrees that this drawing or any design detail or concept disclosed herein shall not be used in any way detrimental to or in competition with the owner. If the recipient does not agree to the terms of this agreement they shall return this drawing immediately. The information contained in this drawing is subject to change without notice.



Dixon Brass
Westmont, Illinois USA

DRAWN	DATE
P. MONAGHAN	11/10/14
APPROVED	DATE
ECO NO.	

TITLE: WELDING NUT
(OXYGEN)

DO NOT SCALE THIS DRAWING

SIZE	DWG. NO.	REV
A	1520309N	E