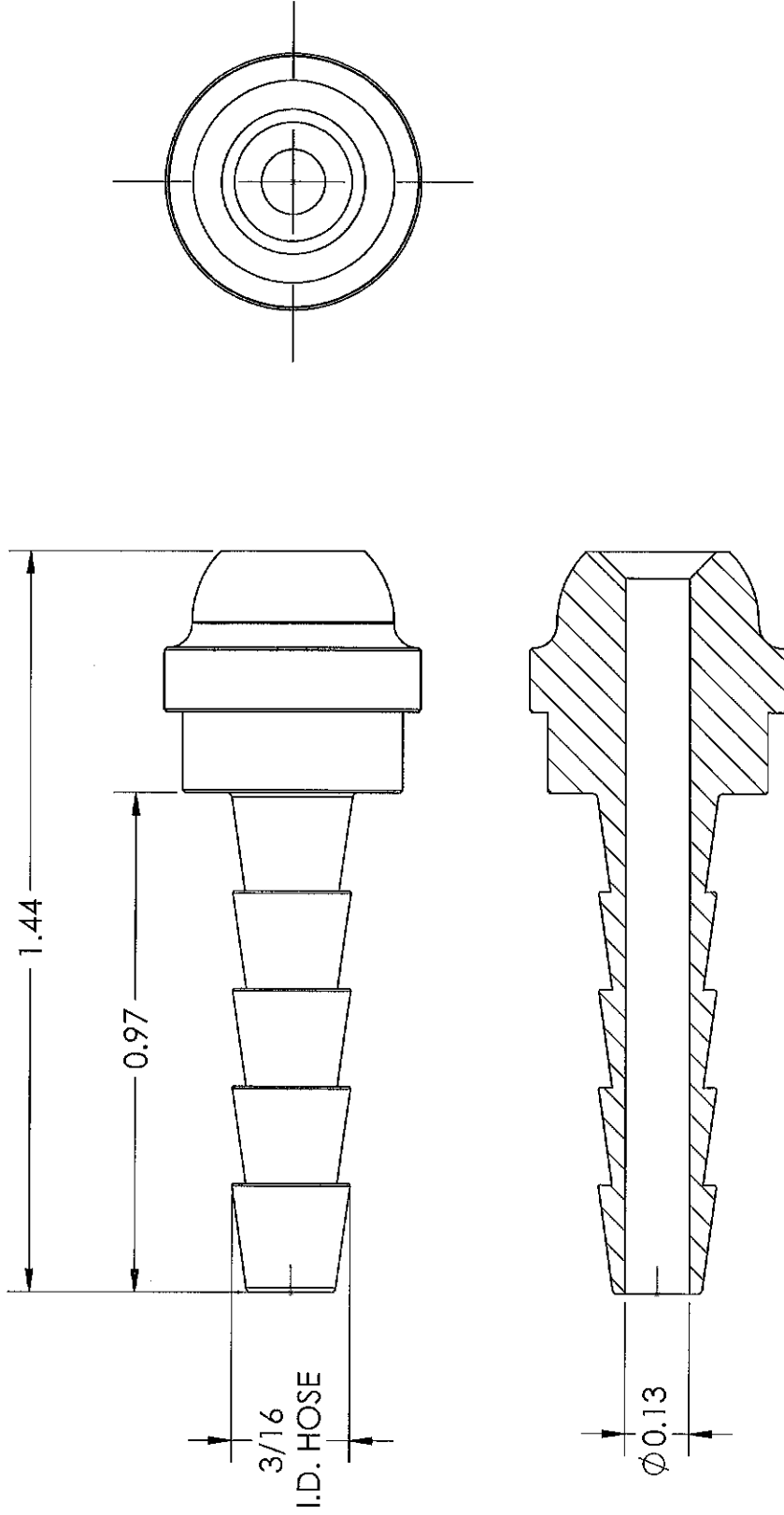


LINE DRAWING NOT FOR PRODUCTION PURPOSES



MATERIAL: 360 BRASS ALLOY



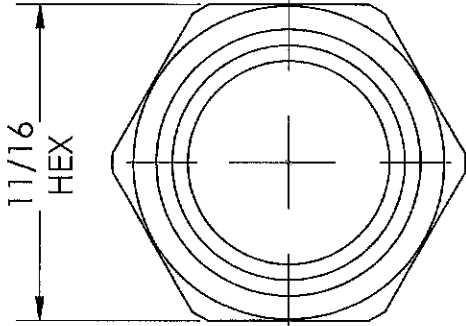
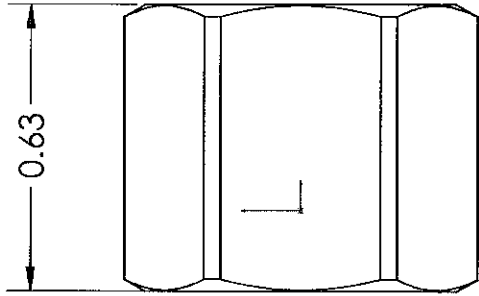
Dixon Brass
Westmont, Illinois USA

DRAWN	DATE
P. MONAGHAN	5/19/21
APPROVED	DATE
ECO NO.	

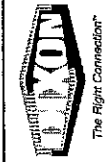
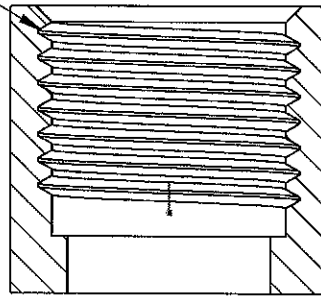
TITLE:	DO NOT SCALE THIS DRAWING	
	SIZE	DWG. NO.
WELDING TYPE	A	1520309S
SWIVEL STEM		
		REV
		E

This drawing is owned by Dixon Valve & Coupling Co. and shall be returned upon demand. It is loaned on condition that it shall not be copied or reproduced or submitted to others without the owners consent. In accepting it, subject to this condition, the recipient further agrees that this drawing or any design detail or concept disclosed herein shall not be used in any way detrimental to or in competition with the owner. If the recipient does not agree to the terms of this agreement they shall return this drawing immediately. The information contained in this drawing is subject to change without notice.

LINE DRAWING NOT FOR PRODUCTION PURPOSES



9/16-18 UNF-2B



Dixon Brass
Westmont, Illinois USA

DRAWN	DATE
P. MONAGHAN	11/10/14
APPROVED	DATE
ECO NO.	

TITLE:	DO NOT SCALE THIS DRAWING	
	SIZE	DWG. NO.
WELDING NUT (OXYGEN)	A	1520309N
		REV
		E

This drawing is owned by Dixon Valves & Couplings Co. and shall be returned upon demand. It is loaned on condition that it shall not be copied or reproduced or submitted to others without the owner's consent. In accepting it, subject to this condition, the recipient further agrees that this drawing or any design detail or concept disclosed herein shall not be used in any way detrimental to or in competition with the owner. If the recipient does not agree to the terms of this agreement they shall return this drawing immediately. The information contained in this drawing is subject to change without notice.