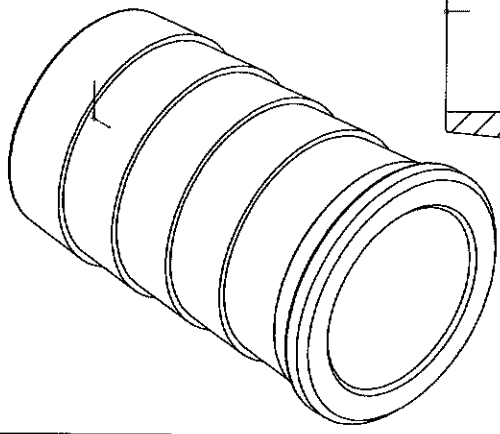
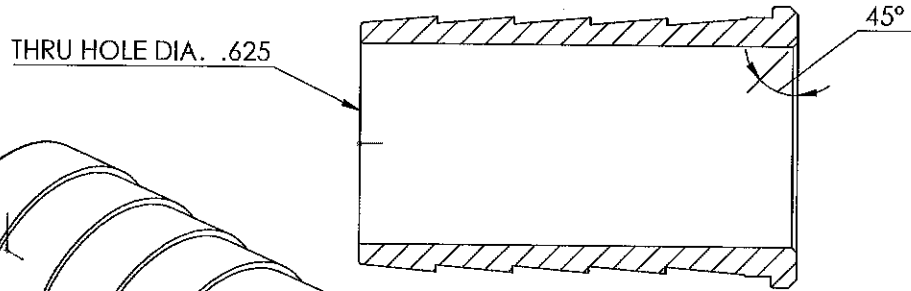
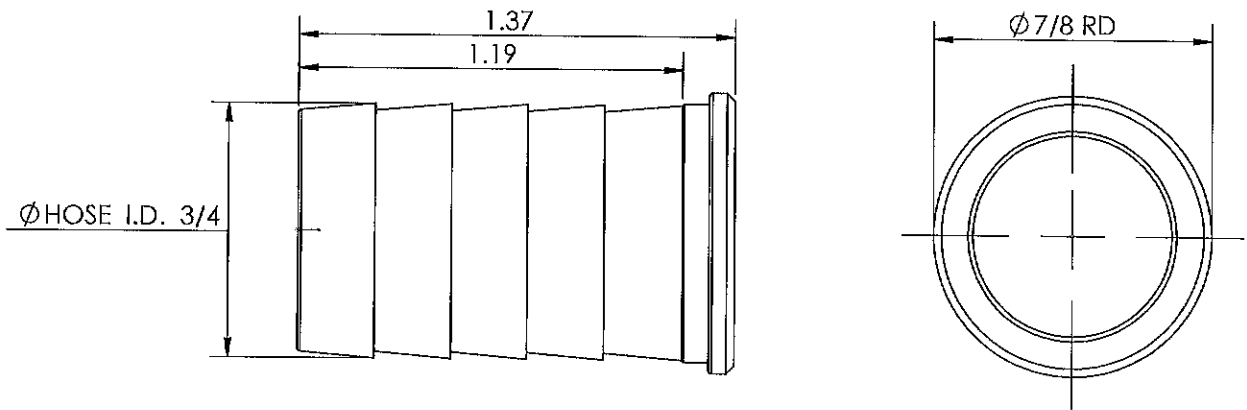

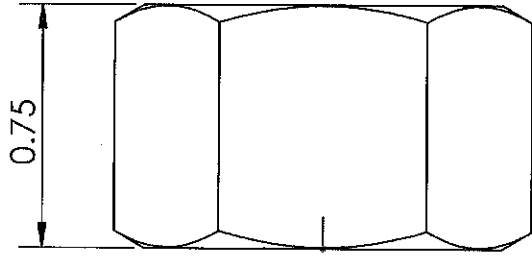


LINE DRAWING NOT FOR PRODUCTION PURPOSES

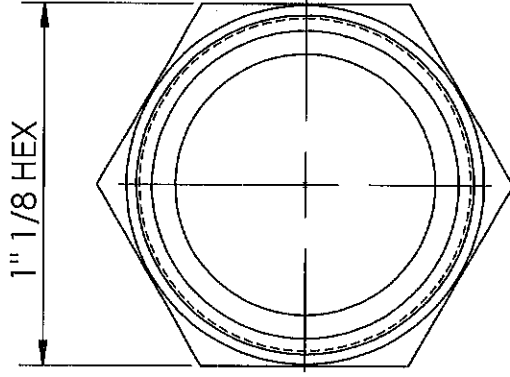


THIS DRAWING CONTAINS INFORMATION DEEMED PROPRIETARY TO DIXON BRASS AND IS SO TO BE USED ONLY FOR THE PURPOSE FOR WHICH IT IS SUBMITTED, AND FURTHER, SHALL NOT BE COPIED IN WHOLE OR IN PART WITHOUT EXPRESS WRITTEN PERMISSION FIRST OBTAINED FROM DIXON BRASS.			
UNLESS OTHERWISE SPECIFIED:		DRAWN	DATE
DIMENSIONS ARE IN INCHES		P. MONAGHAN	1/4/16
TOLERANCES:		APPROVED	DATE
ANGLES: ±0°30'		ECO NO.	
.X (±.015)		DRAWING NOT REPRODUCED TO SCALE	
.XX (±.010)		SIZE	DWG. NO.
.XXX (±.005)		A	5911212S
DIMENSIONS PER ANSI Y14.5		REV	G
 Dixon Brass Westmont, Illinois USA		TITLE: 3/4 BARB GARDEN HOSE STEM	

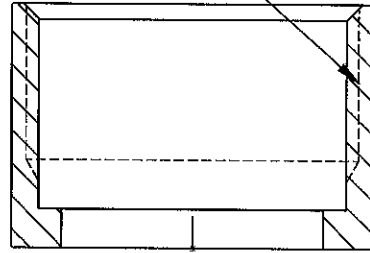
LINE DRAWING NOT FOR PRODUCTION PURPOSES



0.75

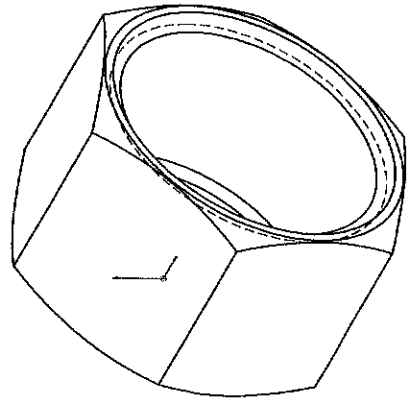


1" 1/8 HEX



(THRU HOLE DIA.) $\varnothing 0.81$

3/4 - 14 NPSM
THREAD



THIS DRAWING CONTAINS INFORMATION DEEMED PROPRIETARY TO DIXON BRASS AND IS TO BE USED ONLY FOR THE PURPOSE FOR WHICH IT IS SUBMITTED, AND FURTHER, SHALL NOT BE COPIED IN WHOLE OR IN PART WITHOUT EXPRESS WRITTEN PERMISSION FIRST OBTAINED FROM DIXON BRASS UNLESS OTHERWISE SPECIFIED:		DRAWN P. MONAGHAN		DATE 2/27/14
DIXON The Right Connection SM		APPROVED		DATE
Dixon Brass Westmont, Illinois USA		ECO NO.		
DIMENSIONS ARE IN INCHES TOLERANCES: ANGLES: ± 30' F (± 0.010) X (± 0.010) XX (± 0.010) XXX (± 0.005)		TITLE: FEMALE SWIVEL NUT 3/4 - 14NPSM		DRAWING NOT REPRODUCED TO SCALE
DIMENSIONS PER ANSI Y14.5		SIZE A	DWG. NO. 1241212N	REV D